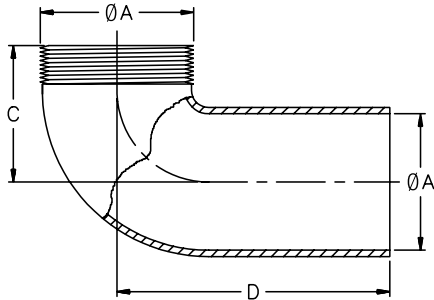


Z1042 ELBOW ADAPTER



ENGINEERING SPECIFICATION

Zurn Z1042 elbow adapter features Dura-Coated cast iron with male NPT threaded and no-hub connections.



Product Designation	Dimensions in inches [mm]			Approximate Weight lb [kg]
	A Pipe Size	C	D	
-3	3 [76]	3-3/4 [95]	7 [178]	8 [4]
-4	4 [102]	4 [102]	8 [203]	14 [6]
-6	6 [152]	5-1/2 [140]	9 [229]	25 [11]

PREFIXES	DESCRIPTION	PRODUCT DESIG.	PIPE SIZE/OUTLET TYPE	LIST PRICE
Z1042*	D.C.C.I. Body with Male Thread and No-Hub Connection Type	-3	3IP x 3NH	532.00
		-4	4IP x 4NH	604.00
		-6	6IP x 6NH	1,357.00
SUFFIXES		PIPE SIZE		ADD
-G	Galvanized Cast Iron	3"		107.00
		4"		223.00
		6"		343.00

SEE LEGACY ADDENDUM ON PAGE 369 FOR MORE INFORMATION

Z1088 BACKWATER VALVE GATE TYPE

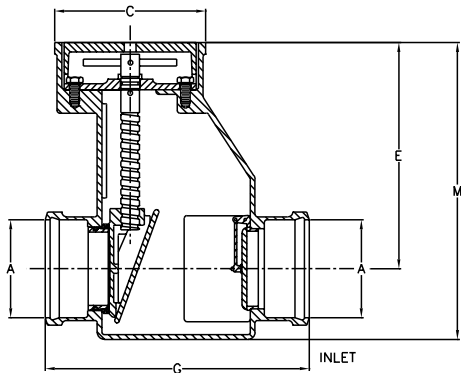


ENGINEERING SPECIFICATION

Zurn Z1088 backwater valve features Dura-Coated cast iron body, automatic PVC (4" size only) flapper type backwater valve with O-ring adjacent to inlet, and spade type bronze gate valve with O-ring seat insert adjacent to outlet, easily controlled at floor level by covered handle engaging bronze non-rising stem.

NOTE

Not designed nor intended to be used as a shut-off valve.



Product Designation	Dimensions in inches [mm]				Approximate Weight lb [kg]
	A Pipe Size	C	E	M	
-4	4 [102]	8 [203]	12 [305]	15-3/4 [400]	80 [36]
-6	6 [152]	10-1/2 [267]	14-1/2 [368]	19 [483]	120 [54]

PREFIXES	DESCRIPTION	PIPE SIZE	LIST PRICE
Z1088*	D.C.C.I. Body and Cover with PVC Flapper Valve, Bronze Check Valve, Gate, and Stem	4", 6"	Combine with connection type for pricing

CONNECTION DESIGNATION (SPECIFY PIPE SIZE IN INCHES AND TYPE OF CONNECTION)			
PRODUCT DESIG.	CONNECTION TYPE	PIPE SIZE/OUTLET TYPE	ADD
-4	Hub x Hub	4HB x 4HB	4,433.00
	Hub x No-Hub	4HB x 4NH	4,433.00
	No-Hub x No-Hub	4NH x 4NH	4,433.00
-6	Hub x Hub	6HB x 6HB	6,805.00
	Hub x No-Hub	6HB x 6NH	6,805.00
	No-Hub x No-Hub	6NH x 6NH	6,805.00
SUFFIXES		PIPE SIZE	ADD
-BV	Bronze Flapper Valve (4" Size)		N/C
-G	Galvanized Cast Iron Body		1,337.00
-WH	Wheel Handle		577.00
-12	12" Extension	4"	2,063.00
		6"	2,370.00
-24	24" Extension	4"	2,892.00
		6"	3,162.00
BEST SELLER			LIST PRICE
Z1088-4NH			4,433.00

Supplied By:



877-903-7246

www.commercialplumbingsupply.com

*Regularly furnished unless otherwise specified.

Items designated as Best Sellers are most specified and are generally in stock for shipment.

⌚ This symbol denotes a product that is engineered to reduce installation and rework time.

For additional product information, please visit www.zurn.com